

“Dose of Wisdom”

RETURN TO THE LORD 2021 LENTEN WORSHIP SERIES

In the Book of Joel, the prophet paints a vivid picture of the coming judgment of God, the Day of the Lord.

The imagery is bold and terrifying: hordes of locusts swarming over the land and decimating everything. Joel’s prophecy has teeth even today as wars rage, natural disasters threaten and destroy, and our culture seems to be unraveling. But right in the middle of this frightening portent, we find a tender invitation from the Lord: “Return to the Lord your God, for He is gracious and merciful, slow to anger, and abounding in steadfast love; and He relents over disaster” (Joel 2:13). God’s invitation and promise finds its fullness in Jesus Christ, who personifies and accomplishes all that God declares. During this season of Lent, we will consider the theme “Return to the Lord” and examine how the call to return played out in practical ways for the people who walked alongside Christ as He demonstrated and carried out God’s grace and mercy on our behalf, taking God’s wrath upon Himself, setting the stage for God to “turn and relent, and leave a blessing behind Him” (Joel 2:14).

Each sermon in this series focuses on a particular event in the Passion, with a special focus on the people involved in the event. Studying the events and people helps to connect the hearers with their own sinful nature, to emphasize how we have turned away from the Lord, and to reinforce and rejoice in God’s call for us to return to Him with all our heart.

Ash Wednesday: “A Call to Return”. Joel's prophecy is dark and terrifying, and the imagery is vivid. It sets the stage for God's invitation and promise: "You have turned away from me in your hearts and minds, and I have now shown you where that path will take you. But it is not too late. Turn back! Return to the Lord! I am gracious and merciful, and I will bless you." This sermon sets the stage for the Lenten path that we will follow together.

Wednesday of Lent 1: "Return to Prayer". This sermon focuses our attention on Peter, James, and John in the Garden of Gethsemane, and explores the topic of prayer. Our prayer life ebbs and flows; we have seasons of abundant prayer and seasons of drought. Throughout all of it, though, Jesus prays consistently. Indeed, “the Spirit Himself intercedes for us with groanings too deep for words” (Romans 8:26). When God calls us to pray, He provides the means to do so and even fulfills what we ourselves are unable to do. So also Jesus takes our sins upon Himself and dies on the cross, satisfying the wrath of God and fulfilling what we ourselves are unable to do.

Wednesday of Lent 2: "Return from Betrayal". Judas appears in the in the Garden of Gethsemane and betrays Jesus into the "hands of lawless men" (Acts 2:23). This sermon ex-

plores the theme of betrayal, specifically the ways that we betray one another and Jesus through our denials and rejection of the faith.

Wednesday of Lent 3: "Return from False Witness". Judas' betrayal brings Jesus before Cai-phas and the Council. In this sermon we examine what God actually means in the Eighth Com-mandment when He said that you should "not bear false witness against your neigh-bor?" (Exodus 20:16) and what to do when our failure here leads us away from God. Thankful-ly, God calls us to turn from our sin, to look to Him, and to find our rest and identity in Him.

Wednesday of Lent 4: "Return from Denial". Peter stands in the courtyard, watching his Lord and master being wrongfully accused, having promised that he was ready to follow Jesus both to prison and to death. But when asked directly, Peter denies Jesus. But Jesus will have the last word. He calls us to return to Him . . . to return from denial.

Wednesday of Lent 5: "Return to the Kingdom of God". Pontius Pilate reigns at his Head-quarters and is forced to wrestle with the question, "What is truth?" (John 18:38), but the real question is "Who is truth?" In this sermon, a King calls us to return to His rule and reign so that He can pour out blessings on us.

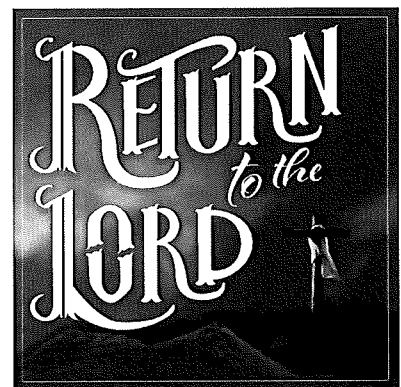
Holy (Maundy) Thursday: "Return to the Table". Jesus' invitation is such that He draws us into a place where we have fellowship with all believers. And yet, our fellowship is stained by sin. Our Lord's invitation to return is accompanied by His promise to make all things new, when once again we will share the fruit of the vine with Christ Himself.

Good Friday: "Return to Truth". In this sermon, we remember the sacrifice that Jesus Christ made for each of us. Our focus is on the One who is the way, and the truth, and the light, even as He hangs on the cross, wracked with pain and writhing in agony.

Holy Saturday / Easter Vigil: "Return to the Church". In this sermon our attention is on what Christ has accomplished through His death: He has taken your sins—all of them—upon Himself, and has endured your punishment to ensure your salvation. Our salvation has been accomplished, and from a wound in the side of our Lord is born the Church, the very Bride of Christ.

Easter Sunday: "Return and See". Christ is risen! He is risen, indeed! Alleluia! In this sermon we rejoice that our Lord's call to return was issued so that we might have life in abun-dance through the one who lived, died, and rose again to secure our salvation.

Pastor Dose



EVENING CIRCLE

Will hold their meeting on Wednesday February 3rd at 7 pm at the church. Co-Hostess is Deb Owen

Sub Sandwich Sales

They LYF has been taking Sub Sandwich orders for Super bowl Sunday. They made the sandwiches on Wednesday, February 3rd. There will be some additional sandwiches made for those who did not place an order or who wish to purchase additional sandwiches. Remember they are great frozen for later use in addition to being served for Super bowl Sunday. Sandwiches are made with Roast Beef, Ham, turkey and 2 types of cheese, They are selling for \$3.50 each or 5 for \$15 Thank you for your support. It is appreciated.



FREE SENIOR MEAL

WHEN: Tuesday, February 16, 2021

TIME Meals will be delivered at noon

Contact one of the following to place your order

Deb @ Zion Lutheran Church
689-2441

Lajeane Shiney
316-516-2946

**Sponsored by Zion Lutheran Evening Circle
Thrivent Action Team/Project**

Winter has settled into the Sunday School. Even though it is cold outside we have a lot of warm hearts inside due to the Good News of Jesus Christ being shared by our teachers and students.

Thank-you to everyone that helped with the Christmas Program, The children did an awesome job! We were worried some days but the kids and staff pulled it all together. Special thanks to the parents for making sure the kids were there



Ash Wednesday

Please be sure to join us on Wednesday, February 17th for Ash Wednesday, as we begin our Lenten Journey. Services will be held at 11 am and at 6:30 pm each Wednesday evening until April 1st. A lunch will be served at noon.



Feb 17	6:30	Ash Wednesday/ Holy Communion
Feb 24	6:30	Midweek Service
Mar 03	6:30	Midweek Service
Mar 10	6:30	Midweek Service
Mar 17	6:30	Midweek Service
Mar 24	6:30	Midweek Service
Mar 28	10:00	Palm Sunday/ Confirmation
Apr 01	6:30	Maunday Thursday/HC
Apr 02	6:30	Good Friday
Apr 03	6:30	Easter Vigil
April 04	7:00	Easter Service/HC

LUTHERAN

If you would like to renew or become a new subscriber to the Lutheran Witness, please contact the church office by Sunday, February 21st. The cost is \$22.68 for a year.

WITNESS



Work Hard,
Do Your Best,
Keep Your Word,
Never Get Too Big For Your Britches,
Trust In God
And Never Forget a Friend

The Holy Alphabet

(Whoever came up with this one must have had some Divine guidance!)

Although things are not perfect
Because of trial or pain
Continue in thanksgiving
Do not begin to blame
Even when the times are hard
Fierce winds are bound to blow
God is forever able
Hold on to what you know
Imagine life without His love
Joy would cease to be
Keep thanking Him for all the things
Love imparts to thee
Move out of "Camp Complaining"
No weapon that is known
On earth can yield the power
Praise can do alone
Quit looking at the future
Redeem the time at hand
Start every day with worship
To "thank" is a command
Until we see Him coming
Victorious in the sky
We'll run the race with gratitude
Xalting God most high
Yes, there'll be good times and yes some will be bad, but...
Zion waits in glory...where none are ever sad!

"I AM Too blessed to be stressed!" The shortest distance between a problem and a solution is the distance between your knees and the floor.
The one who kneels to the Lord can stand up to anything. Love and peace be with you forever, Amen.

Refocus for Lent

Give up complaining — focus on gratitude.
Give up harsh judgments — think kind thoughts.
Give up worry — trust God to provide.
Give up discouragement — be full of hope.
Give up bitterness — turn to forgiveness.
Give up hatred — return good for evil.
Give up anger — be more patient.
Give up pettiness — become mature.
Give up jealousy — pray for trust.
Give up gossiping — control your tongue.
Give up sin — turn to virtue.
Give up giving up — persevere.

—Author unknown

Mealtime as a family

Amid busy and varied schedules, many families find a way to sit down together for dinner regularly. Family-health advocates describe the benefits: an increased sense of unity, children sharing news and feeling listened to, and the physical perks of a planned, seated meal.

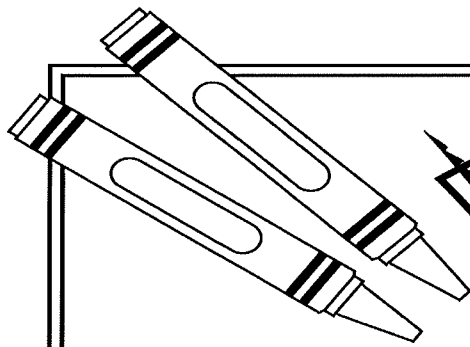
In Scripture, many great encounters between people and God happen around meals. Abraham and Sarah prepare a meal for three guests who turn out to be angels (Genesis 18). God instructs the Hebrew slaves to eat a special meal together before their delivery from Egypt (Exodus 12); every year since, Jews have celebrated the Passover feast. Elijah is strengthened with food served by an angel (1 Kings 19). Jesus shares meals not only with religious leaders but with “sinners” (e.g., Matthew 9). Jesus’ Last Supper with his disciples before his death has become one of the church’s sacraments and a “foretaste” of the heavenly banquet to come.

When Christian families eat together, it’s a holy time in God’s presence, just as when the church shares Holy Communion — a true fellowship dinner!

“Teach us to love”

O God, perfect us in love,
That we may conquer all selfishness and hatred of others;
Fill our hearts with thy joy,
And shed abroad in them thy peace which passeth understanding;
That so those murmurings and disputings
To which we are too prone may be overcome.
Make us long-suffering and gentle,
And thus subdue our hastiness and angry tempers,
And grant that we may bring forth the blessed fruits of the Spirit,
To thy praise and glory, through Jesus Christ our Lord. Amen.

—Rev. Henry Alford (1810-1871)

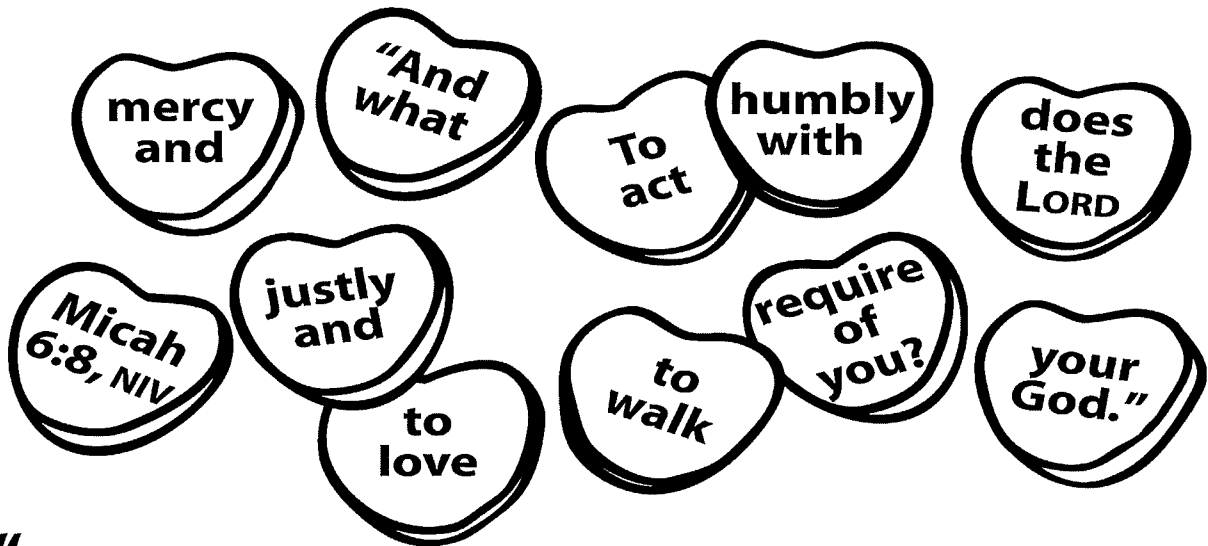


PUZZLE

Conversation hearts

The world encourages people to look out for themselves and seek success, but in Micah 6:8, God tells us to live differently.

Directions: Put the conversation hearts in the correct order by writing the words on the lines below. Hint: Capitalization and quotation marks are included.

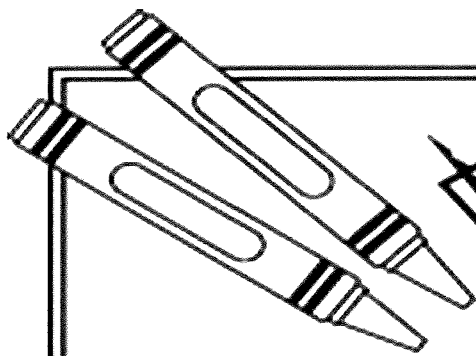


"

_____ ? _____

_____ " _____ 6:8 _____

Answer: "And what does the LORD require of you? To act justly and to love mercy and to walk humbly with your God." Micah 6:8, NIV



PUZZLE

A NEW COMMANDMENT

In John 13:34, Jesus offers important instructions for his followers.

Directions: Figure out the pattern in each vertical line of letters. Then add the next letter in the sequence to the blank underneath, completing John 13:14, NIV.

ABCDEFGHIJKLMNOPQRSTUVWXYZABCD...

F	L	S	Y	F	K	Y	X	E	I	Q	B	V	O	O	J	F
H	M	T	A	I	L	A	Y	H	K	R	D	Y	P	S	M	G
J	N	U	C	L	M	C	Z	K	M	S	F	B	Q	W	P	H

E	X	M	B	C	L	M	B	U	V	F	R	P	L	V	F	R
F	Y	P	C	F	M	P	C	X	W	I	S	Q	M	W	I	S
G	Z	S	D	I	N	S	D	A	X	L	T	R	N	X	L	T

A	R	J	Q	C	C	S	B	F	K	Y	X	H	L	Q	B	Y	I
E	S	M	R	F	G	T	C	I	L	A	Y	J	M	R	D	A	L
I	T	P	S	I	K	U	D	L	M	C	Z	L	N	S	F	C	O

JOHN 13:34, NIV

Answer: "Love one another. As I have loved you, so you must love one another." John 13:34, NIV

JESUS, MY SPECIAL FRIEND

When the troubles of this world crowd my
mind, I turn to Jesus every time

I tell Him all that in my heart
So he can do his work of art
On my thoughts, my fears and doubts
He dries my tears and drives evil out
He has never told a secret yet
An He understands me you can bet

He treats me go gentle and so kind and
Holds me close to Him at times
Sometimes I can almost hear him whis-
per "I love you, please don't cry" He gives
me strength to carry on
When I have thought and cried till dawn
He is the very best kind of friend
On Him I can always depend

He is never to busy to listen to me and
He fills my heavy heart with glee
I hope I can be the kind of friend to Him
as He has always been to me

Kay Harrison



Jesus
Our True Friend



"A friend loves
AT ALL TIMES."

PROVERBS 17:17, NRSV

A Friend in Jesus"

Who could I turn to?
There's no one, but you,
My Savior who loves me,
Guides me each day through.

My Savior, who's there,
When I need a friend,
Always ready and able,
For my problems, to tend.

My Savior, who's there,
When I'm down sick or crying,
Even when my life's path,
Full of knots needs untying.

What could I say?
Your love shines forever,
Burning in my heart,
Lighting any stormy weather.

What back, could I give?
But just words, I love you
And what back might I ask,
Knowing you love me too.

Thank you, my Savior,
You're my real true friend,
You gave your life for me,
And on you I can depend.

ChrisRS ©1986
"All Rights Reserved"



FEBRUARY

Birthdays & Anniversaries

SUNDAY	MONDAY	TUESDAY	WEDNESDAY	THURSDAY	FRIDAY	SATURDAY
	1 <i>Carnille Mumm Greg & Becky (Vetter) Golson</i>	2	3 <i>Tracy Ehlers Denise Ragaller Kendyl Riesberg Grant Wilken</i>	4 <i>Olivia Mau</i>	5 <i>Paulette Von Glan</i>	6
7 <i>Hannah Kraus Nolan Vetter</i>	8 <i>Jeremy Fineran</i>	9 <i>Donna Schurke</i>	10 <i>Dane Dirks Mary Lou Kraus</i>	11 <i>Denny Maassen Marilyn Mumm</i>	12	13 <i>Al & Sandy Hunter</i>
14 <i>Shayna Himmers Trama Vetter Dawn Winey Jacob Wittrock Dave & Lou Leiting</i>	15 <i>Dylan Vetter Jim & Patty Vetter</i>	16 <i>Myles Bruch Ryan Middleton</i>	17 <i>Brandon Himmers Lilly Julin Lacey Middleton Ann Whitaker</i>	18 <i>Wyatt Ragaller</i>	19 <i>Tyler Middleton Emily Witt</i>	20 <i>Jane Hage</i>
21	22 <i>Mary Erps Brian Hausman Raelyn Petersen</i>	23 <i>Elise Lupole</i>	24 <i>Janice Wilken</i>	25 <i>Doug Kuhl Tony Mumm Gavin Thiedeman</i>	26	27
28 <i>Emmalee Bolin Heather Erps Emily Weller Randy & Mary Bruhn</i>						

FEBRUARY

SUNDAY	MONDAY	TUESDAY	WEDNESDAY	THURSDAY	FRIDAY	SATURDAY
	1	2	3 <i>4:00 Midweek 7:00 Evening Circ LYF Make Subs</i>	4	5	6
7 <i>9:00 Chr Ed 10:00 DW/HC</i>	8	9	10 <i>4:00 Midweek 6:00 Elders Meet 7:00 Church Council</i>	11	12	13
14 <i>9:00 Chr Ed 10:00 DW/HC</i>	15	16	17 <i>4:00 Midweek 6:30 Ash Wed</i>	18	19	20
21 <i>9:00 Chr Ed 10:00 DW/HC.</i>	22	23	24 <i>4:00 Midweek 6:30 Lenten Ser</i>	25	26	27
28 <i>9:00 Chr Ed 10:00 DW/HC.</i>						

USHERS

Dale Wittrock Jacob Wittrock
 Gary Lenz Kyle Lenz
 Greg Gronau Keith Petersen
 Kelly Riesberg Doug Gronau
 Kurt Branning

CHANCEL CIRCLE

Paulette Von Glan
 Marilyn Muegenberg

PARISH CIRCLE

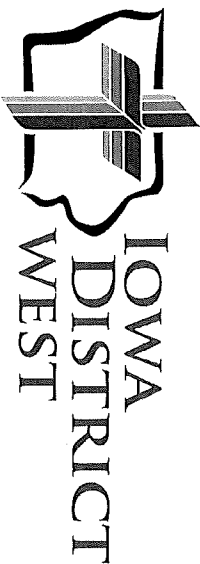
Paultette Von Glan
 Marilyn Muegenberg

MIDWEEK SNACK

3rd: Grant Wilken
 10th: Kendyl Riesberg
 17th: Lilly Julin
 24th: Wyatt Ragaller

ACOLYTES

2/7: Ty Muhlbauer & Hannah Dose
 2/14: Wyatt Ragaller & Kendyl Riesberg
 2/17 Allison Skinner & Anna Schuette (Ash Wednesday)
 2/21 Cody Bair & Jacob Hansen
 2/24 Alex Gallagher & Peyton Gallagher
 2/28 Lydia Dose & Jacob Hansen



THE LUTHERAN CHURCH-MISSOURI SYNOD

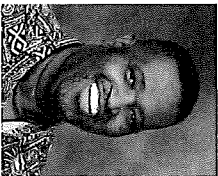
Partners in the Gospel

February 2021

409 Kenyon Road, Suite B — Fort Dodge, Iowa 50501
515-576-7666 Fax 515-576-2323 www.idwlcms.org
Contact email: sue@iowadistrictwest.org

On a Mission to Support Christ's Mission!

God Knows What We Need in Uncertain Times



As a new year begins, some lingering issues remain. We are still dealing with a pandemic, and now a change in national leadership. Not many of us like change, because with every change comes uncertainty. This month's focus is on the comforting words of King David found in Psalm 139. David reminds us of this: "O LORD, you have searched me, and you know me. You know when I sit and when I rise; you perceive my thoughts from afar. You discern my going out and my lying down; you are familiar with all my ways. Before a word is on my tongue you know it completely, O LORD."

It should not shock us that God knows us. What may surprise us is the depth of that knowledge. Even David is awestruck that God has taken an interest in his life and movements.

God knows our daily schedule. He is aware of every moment, "when I sit, and when I rise" David writes. God knows our thoughts and therefore He knows our worries, our concerns, our fears, our joys, and our pain. When anxiety or worry weigh heavily on our hearts in this upcoming year, take comfort in knowing that God understands.

God also knows all our activities, not just some but "all my ways." Finally, God knows our words. While we may not know just the right words to say when we pray to God, fear not for He knows our words. Fear not, God will guide us through this time and remind us He is always with us.

Rev. B. Keith Haney, Assistant to the President
keith@iowadistrictwest.org

Iowa Lutheran School Tuition Organization

The Iowa Lutheran School Tuition Organization (ILSTO) assists families who meet certain income guidelines to send their children to a Lutheran school. Thank you to all who donated this past year as \$715,285 was donated in 2020 which was 75% of our goal. Our contribution limit for 2021 is \$940,223. Your help is again very much needed as we raise money for the 2022-2023 school year. If you are new to the program, now is a good time to talk to your tax preparer about the tax credits for 2021. Also, ILSTO is eligible to receive your CHOICE dollars from Thrivent as an additional gift with no tax consequences. Thanks again for your support of the ILSTO program. For additional information, call Dewey Torkelson, at 712-260-2991.

Ramsey+

The District Stewardship Committee is offering Ramsey+ to the first 35 congregations who respond to Rev. Haney (keith@iowadistrictwest.org). This is a tool you can offer to your congregation and school families free of charge for a year. It has everything you need to learn how to manage your finances—all in one place! This all-access membership includes bestselling money tools, apps, content, and resources to help take control of your money for good. Membership includes access to premium features, including Financial Peace University, EveryDollar budget reporting and automatic bank transactions, the BabySteps app, Ask a Coach, the Debt Snowball Calculator, PLUS so much more. We are asking all congregations who sign up to consider a donation of \$725 to offset the cost.

College Scholarships for Full-time Church Work – Joy in Ministry

Iowa District West is blessed with money that has been gifted for the support of students choosing church work as a full-time career. The scholarship committee was able to award over \$200,000 to seminarians, those studying to be Lutheran teachers, DCEs and the like, and those attending a Concordia. Please pray for more people to consider church work as a full-time career and as you can, talk to young people about considering full-time church work as a career. There is much "Joy in Ministry" as one serves the church full-time. For more information contact Rev. Tom Schlund (515-295-3518 or pastorschlund@trinityalgona.org).



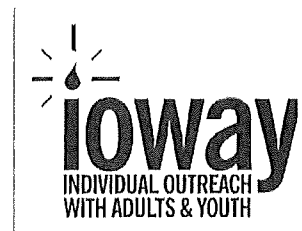
Calendar of Events

February 2...Paycheck Protection Program (PPP) Presentation, 4-5pm
February 16...District Board of Directors Meeting
February 17...Ash Wednesday

For more information on Iowa District West activities,
view *The Messenger* at www.idwlcms.org/publications.php

Recipe for Serving Others

Nine Lutheran ladies
 Gallon of coffee
 Lots of sweet treats
 Sewing machines
 Materials for making quilts



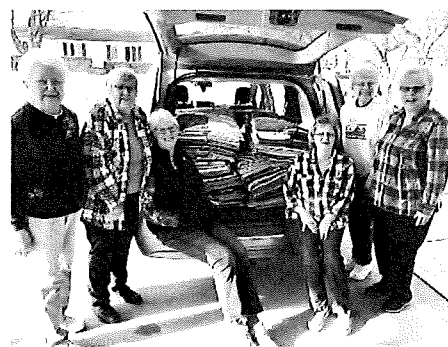
Recipe instructions: Start with sewing machines and materials for making quilts. Add lots of laughter, a gallon of coffee and many sweet treats. Mix it all together with a large amount of love. Yields: 50+ quilts a year.

Nine Lutheran women from St. Paul Lutheran Church, Garner, Iowa doubled this recipe. After doubling their recipe, they called and asked me about donating the quilts they had made. They decided to give them to the children at Moulton Elementary School in Des Moines. Moulton Elementary enrolls 515 students from grades K-5 where 31 different languages are spoken. Most of the children are refugees and immigrants.

When I asked what the name of their group is, they looked at each other and said, "I guess we are just the LWML Quilters." There is no "just" about this group of happy quilters! They do not have an official name, but they shared their official schedule. They meet once a month. They quilt for an hour, take a coffee break for an hour, and quilt for another hour. That is an interesting and fun agenda! Pastor Scott Kozisek said he shows up when it is time for the treats!

They always mix fun with food and fellowship. They said meeting with friends is a great stress reliever.

We loaded 110 beautiful quilts along with 12 cozy baby quilts. What a great privilege to take their gifts of love to Des Moines and deliver to Audri Lu-Uhlken, the community coordinator at Moulton Elementary School!



Pictured left to right: Marie Waddingham, Pastor Scott Kozisek, Cheryl Farris, Elaine Olson, Marlys Luedtke and Darlene Ziesmer
 Seated: Sue Bruxvoort
 Not pictured: Sheryl Rolfe, Louise Piper and Janan Griggs

Along with quilting, the Rebecca and Hope LWML groups are involved with many great service outreaches. With their many projects, they raise around \$5,000 yearly and share financially with nine different charities: 50% goes to missions and 50% to projects. A few of their many activities include a soup and pie sale, salad luncheon, City of Garner celebration for Duesey Days and an Ethnic Bake Sale. For the past fourteen years, they have had an Ethnic Bake Sale. This year was no exception, but they worked hard and were very creative in making it safe for everyone. They offered Norwegian, German, Swedish, English, Czech and Russian food items.



Audri Lu-Uhlken is pictured with half the quilts at Moulton.

Ellie Menz
 IOWAY Director / Disaster Response Coordinator
 807 W. South, Jefferson IA 50129
ellie@iowadistrictwest.org 515-370-1159

**Zion Lutheran Church
118 W Tracy St
Box 59
Arcadia, IA 51430
Rev Ben Dose
712-689-2441**

**Non-Profit Organization
Arcadia, IA 51430
Standard Mail**

<i>Friends Who Care</i>	
<i>Christian Education</i>	<i>9:00 am</i>
<i>Divine Worship</i>	<i>10:00 am</i>

**FRIENDS ARE

TRUTHFUL
CARING
RELIABLE
HELPFUL
POLITE
INTERESTING
ALWAYS THERE
FOR YOU.**