

“Dose of Wisdom”

BE GRACIOUS TO ME

PSALM 41

No Old Testament saint attests to God’s grace quite like King David. Raised from the sheepfold to the throne of the house of Israel; raised again (and again, and again) from sin: pride, murder, adultery, and despising of God; lifted clear of the snare of the wicked (Psalm 119:110), of the pit (Psalm 30:3), of the very gates of death (Psalm 9:13); with no merit or worthiness in himself, David was continually raised up by God’s grace and favor.

God’s grace wells up in Psalm 41, where David exults in divine mercy amid his own weakness, powerful enemies, and treacherous friends. In this psalm, David tracks the flow of divine grace back to its source at the cross and, with prophetic vision, finds it springing forth in the lives of all baptized believers—including you.

How has God’s grace raised you? If you haven’t been set on a royal throne or made ruler over a great people, maybe you’ve seen improvements in your finances or employment. Or perhaps family strife has been quieted. Or maybe a compassionate helper or valuable ally has entered the picture at just the right moment. Have you shaken off a bad illness, a bad habit, or a bad influence? If so, rejoice and thank God for His grace and favor!

But if you feel like you’re sinking instead of rising, what then? Is there any comfort for the saint of God who looks around to find that “the waters have come up to my neck” (Psalm 69:1)? David knows that saint’s fortunes because they are his as well:

In the day of trouble the LORD delivers him;
the LORD protects him and keeps him alive;
he is called blessed in the land;

You do not give him up to the will of his enemies. (Psalm 41:1–2)
You have a sure hope! Therefore, do not look for hope in your experiences or your emotions, which will portray for you the same bleak scene that David captures in Psalm 41:

- * My enemies say of me in malice, “When will he die, and his name perish?” (v. 5)
- * When one comes to see me, he utters empty words, while His heart gathers iniquity. (v. 6)
- * Even my close friend in whom I trusted, who ate my bread, has lifted his heel against me. (v. 9)

Faith offers a better vision: despite all that binds and bruises and bleeds you, God *will* raise you up. He has raised you already! In Holy Baptism, God has “raised us up with Him and seated us with Him in the heavenly places in Christ Jesus” (Ephesians 2:6). If you are *in Christ*, how can you sink? How can you fall?

Lent is the ideal time to meditate on David's ordeals and your secure position in Christ. Psalm 41 provides the ideal guide to your meditation. If the laments of Psalm 41 call to mind your numerous difficulties and need for deliverance, they depict even more clearly the work by which your deliverance has been won.

David "prophesied about the grace that was to be yours" and "searched and inquired carefully" concerning your salvation (1 Peter 1:10). And that salvation is this: the Son of David, by grace, "might taste death for everyone" (Hebrews 2:9).

Are the scheming enemies of Psalm 41:5 not the foes of Christ, who is sustained on His sickbed (v. 3) but the one by whose wounds you are healed (Isaiah 53:5)? Even the close friend of our Lord has lifted his heel against Him (Psalm 41:9). God be praised, all these sufferings are yours too! Or "do you not know that all of us who have been baptized into Christ Jesus were baptized into His death" (Romans 6:3)?

Because you are in Christ, you share in all things with Him, even the prophetic Word. David's vision in Psalm 41 has become your reality in Christ. In the day of trouble, the Lord delivers you; the Lord protects you and keeps you alive; you are called blessed in the land (see Psalm 41:1-2). Press on to know the Lord's suffering, death, and Word. As surely as the Lenten journey ascends to the victory of Easter, you shall be raised up.

God's Blessings in Christ,

Pastor Dose



EVENING CIRCLE

Will hold their meeting on Wednesday February 7th at 7 pm at the church.
Co-Hostess is Deb Owen

Sub Sandwich Sales

They LYF has been taking Sub Sandwich orders for Super bowl Sunday. They will make the sandwiches on Wednesday, February 7th. Remember they are great frozen for later use in addition to being served for Super bowl Sunday. Sandwiches are made with Roast Beef, Ham, turkey and 2 types of cheese or you can order Italian, peperoni, salami and provolone cheese. They are selling for \$5 Thank you for your support. It is appreciated.



FREE SENIOR MEAL

WHEN: Tuesday, February 20 2024

TIME Meals will be delivered at noon

Contact one of the following to place your order

Deb @ Zion Lutheran Church 689-2441
Diane Witt 689-2233

**Sponsored by Zion Lutheran Evening Circle
Thrivent Action Team/Project**

Winter has settled into the Sunday School. Even though it is cold outside we have a lot of warm hearts inside due to the Good News of Jesus Christ being shared by our teachers and students.

Thank-you to everyone that helped with the Christmas Program, The children did an awesome job! We were worried some days but the kids and staff pulled it all together. Special thanks to the parents for making sure the kids were there



Ash Wednesday

Please be sure to join us on Wednesday, February 14, for Ash Wednesday, as we begin our Lenten Journey. The theme this year is "Be Gracious to Me" Service begins at 6:30 pm.

Lenten W O R S H I P S c h e d u l e

February 14	6:30 pm Ash Wednesday/HC
February 21	6:30 pm Midweek Service
February 28	6:30 pm Midweek Service
March 06	6:30 pm Midweek Service
March 13	6:30 Midweek Service
March 20	6:30 Midweek Service
March 24	10:00 Palm Sunday/ Confirmation
March 28	6:30 Maunday Thursday/HC
March 29	6:30 Good Friday
March 31	7:00 Easter Service/HC

LUTHERAN

WITNESS

If you would like to renew or become a new subscriber to the Lutheran Witness, please contact the church office by Sunday, February 19th . The cost is \$28.25 for a year.



Work Hard,
Do Your Best,
Keep Your Word,
Never Get Too Big For Your Britches,
Trust In God
And Never Forget a Friend

The Holy Alphabet

(Whoever came up with this one must have had some Divine guidance!)

Although things are not perfect
Because of trial or pain
Continue in thanksgiving
Do not begin to blame
Even when the times are hard
Fierce winds are bound to blow
God is forever able
Hold on to what you know
Imagine life without His love
Joy would cease to be
Keep thanking Him for all the things
Love imparts to thee
Move out of "Camp Complaining"
No weapon that is known
On earth can yield the power
Praise can do alone
Quit looking at the future
Redeem the time at hand
Start every day with worship
To "thank" is a command
Until we see Him coming
Victorious in the sky
We'll run the race with gratitude
Xalting God most high
Yes, there'll be good times and yes some will be bad, but...
Zion waits in glory...where none are ever sad!

"I AM Too blessed to be stressed!" The shortest distance between a problem and a solution is the distance between your knees and the floor.
The one who kneels to the Lord can stand up to anything. Love and peace be with you forever, Amen.

Refocus for Lent

Give up complaining — focus on gratitude.
Give up harsh judgments — think kind thoughts.
Give up worry — trust God to provide.
Give up discouragement — be full of hope.
Give up bitterness — turn to forgiveness.
Give up hatred — return good for evil.
Give up anger — be more patient.
Give up pettiness — become mature.
Give up jealousy — pray for trust.
Give up gossiping — control your tongue.
Give up sin — turn to virtue.
Give up giving up — persevere.

—Author unknown

Mealtime as a family

Amid busy and varied schedules, many families find a way to sit down together for dinner regularly. Family-health advocates describe the benefits: an increased sense of unity, children sharing news and feeling listened to, and the physical perks of a planned, seated meal.

In Scripture, many great encounters between people and God happen around meals. Abraham and Sarah prepare a meal for three guests who turn out to be angels (Genesis 18). God instructs the Hebrew slaves to eat a special meal together before their delivery from Egypt (Exodus 12); every year since, Jews have celebrated the Passover feast. Elijah is strengthened with food served by an angel (1 Kings 19). Jesus shares meals not only with religious leaders but with “sinners” (e.g., Matthew 9). Jesus’ Last Supper with his disciples before his death has become one of the church’s sacraments and a “foretaste” of the heavenly banquet to come.

When Christian families eat together, it’s a holy time in God’s presence, just as when the church shares Holy Communion — a true fellowship dinner!

“Teach us to love”

O God, perfect us in love,
That we may conquer all selfishness and hatred of others;
Fill our hearts with thy joy,
And shed abroad in them thy peace which passeth understanding;
That so those murmurings and disputings
To which we are too prone may be overcome.
Make us long-suffering and gentle,
And thus subdue our hastiness and angry tempers,
And grant that we may bring forth the blessed fruits of the Spirit,
To thy praise and glory, through Jesus Christ our Lord. Amen.

—Rev. Henry Alford (1810-1871)

JESUS, MY SPECIAL FRIEND

When the troubles of this world crowd my
mind, I turn to Jesus every time
I tell Him all that in my heart
So he can do his work of art
On my thoughts, my fears and doubts
He dries my tears and drives evil out
He has never told a secret yet
An He understands me you can bet

He treats me go gentle and so kind and
Holds me close to Him at times
Sometimes I can almost hear him whis-
per "I love you, please don't cry" He gives
me strength to carry on
When I have thought and cried till dawn
He is the very best kind of friend
On Him I can always depend

He is never to busy to listen to me and
He fills my heavy heart with glee
I hope I can be the kind of friend to Him
as He has always been to me

Kay Harrison



Jesus
Our True Friend



"A friend loves
AT ALL TIMES."

PROVERBS 17:17, NRSV

A Friend in Jesus"

Who could I turn to?
There's no one, but you,
My Savior who loves me,
Guides me each day through.

My Savior, who's there,
When I need a friend,
Always ready and able,
For my problems, to tend.

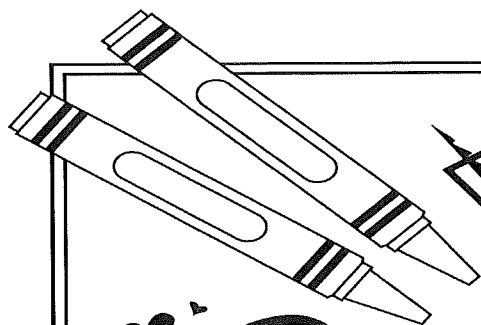
My Savior, who's there,
When I'm down sick or crying,
Even when my life's path,
Full of knots needs untying.

What could I say?
Your love shines forever,
Burning in my heart,
Lighting any stormy weather.

What back, could I give?
But just words, I love you
And what back might I ask,
Knowing you love me too.

Thank you, my Savior,
You're my real true friend,
You gave your life for me,
And on you I can depend.

ChrisRS ©1986
"All Rights Reserved"



PUZZLE

God's Love

We can't measure God's love for us. It starts before we're born and continues for eternity.

Directions: Down the left-hand column, spell out the name of each number. Then write the circled letters on the blank lines in the right-hand column. Read the words on the right, from top to bottom, to see what Psalm 33:22 (NIV) says about God's love.

20 _____ ○

4 ○ ○ ○

99 ○ ○ _____ - ○ ○

7 _____ ○ ○

1 _____ ○

28 _____ ○ - _____ ○

60 ○ _____

40 _____ ○ ○

70 _____ ○ ○ ○ ○

6 ○ _____

12 _____ ○ _____ ○

64 _____ - _____ ○

14 _____ ○ ○ ○

81 _____ ○ _____ - ○ ○

9 _____ ○ ○

24 _____ ○ - ○ ○

"M a _____

y _____

u _____ f a _____ l _____ g

l o _____

b _____

_____ h

u _____,

L _____ d,

a _____

p _____ t

_____ p _____

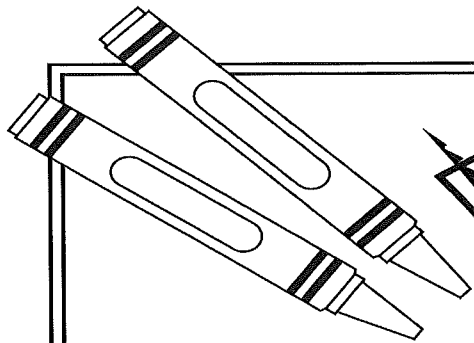
_____ ."

PSALM 33:22, NIV

Fourteen our
Eighty-one hope
Nine in
Twenty-four you"

Sixty us,
Forty Lord,
Seventy even
Six as
Twelve we
Sixty-four put

"May
Four your
Ninety-nine unfailing
Seven love
One be
Twenty-eight with

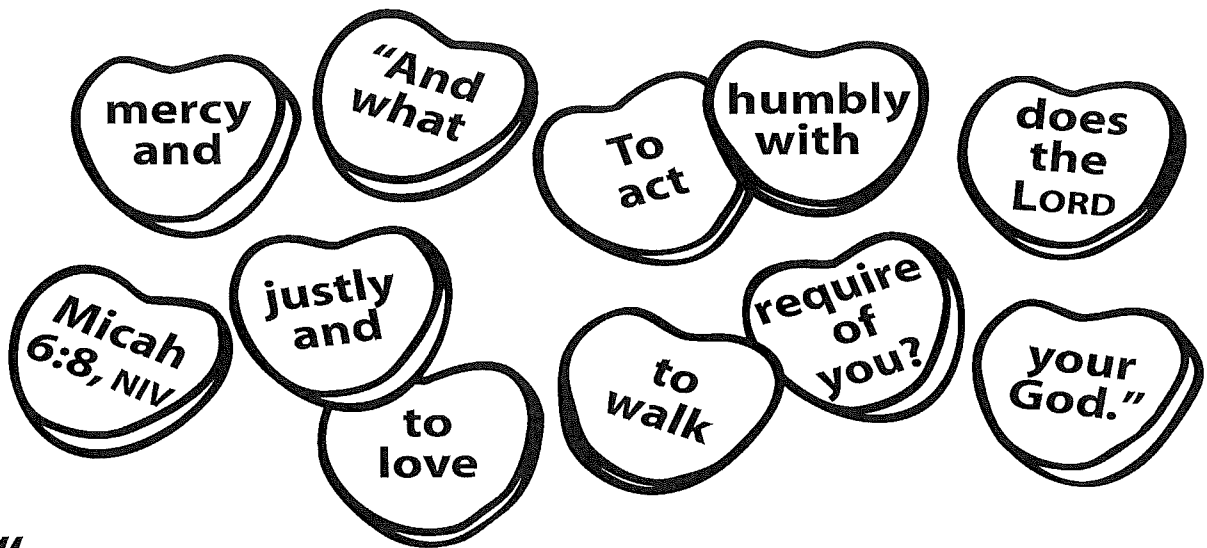


PUZZLE

Conversation hearts

The world encourages people to look out for themselves and seek success, but in Micah 6:8, God tells us to live differently.

Directions: Put the conversation hearts in the correct order by writing the words on the lines below. Hint: Capitalization and quotation marks are included.

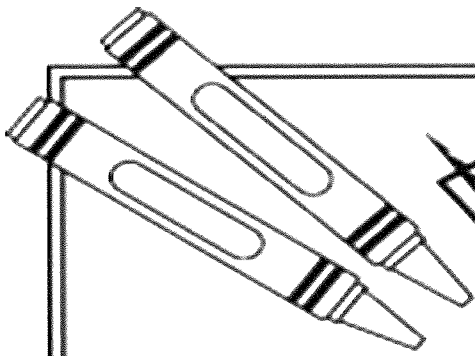


"

_____ ? _____

_____ " _____ 6:8 _____

Answer: "And what does the LORD require of you? To act justly and to love mercy and to walk humbly with your God." Micah 6:8, NIV



PUZZLE

A NEW COMMANDMENT

In John 13:34, Jesus offers important instructions for his followers.

Directions: Figure out the pattern in each vertical line of letters. Then add the next letter in the sequence to the blank underneath, completing John 13:14, NIV.

ABCDEFGHIJKLMNOPQRSTUVWXYZABCD...

F	L	S	Y	F	K	Y	X	E	I	Q	B	V	O	O	J	F
H	M	T	A	I	L	A	Y	H	K	R	D	Y	P	S	M	G
J	N	U	C	L	M	C	Z	K	M	S	F	B	O	W	P	H

E	X	M	B	C	L	M	B	U	V	F	R	P	L	V	F	R
F	Y	P	C	F	M	P	C	X	W	I	S	Q	M	W	I	S
G	Z	S	D	I	N	S	D	A	X	L	T	R	N	X	L	T

A	R	J	Q	C	C	S	B	F	K	Y	X	H	L	Q	B	Y	I
E	S	M	R	F	G	T	C	I	L	A	Y	J	M	R	D	A	L
I	T	P	S	I	K	U	D	L	M	C	Z	L	N	S	F	C	O

JOHN 13:34, NIV

Answer: "Love one another. As I have loved you, so you must love one another." John 13:34, NIV

FEBRUARY

SUNDAY	MONDAY	TUESDAY	WEDNESDAY	THURSDAY	FRIDAY	SATURDAY
				1 <i>Ryker Mohr Camille Mumm Greg & Rebecca Golson</i>	2 <i>Jeremy Ewoldt</i>	3 <i>Tracy Ehlers Denise Ragaller Kendyl Riesberg Grant Wilken</i>
4 <i>Olivia Mau</i>	5 <i>Paulette Von Glan</i>	6	7 <i>Hannah Kraus Nolan Vetter</i>	8 <i>Jeremy Fineran</i>	9 <i>Donna Schurke</i>	10 <i>Dane Dirks Mary Lou Kraus</i>
11 <i>Marilyn Mumm</i>	12	13 <i>Al & Sandy Hunter</i>	14 <i>Trama Vetter Dawn Winey Jacob Wittrock Dave & Lou Leiting</i>	15 <i>Emmett Sterk Dylan Vetter Jim & Patty Vetter</i>	16 <i>Myles Bruch Ryan Middleton</i>	17 <i>Brandon Hinners Lilly Julin Lacey Middleton Ann Whitaker</i>
18 <i>Wyatt Ragaller</i>	19 <i>Tyler Middleton Emily Witt</i>	20 <i>Jane Hagge</i>	21 <i>Lettie Hagge</i>	22 <i>Mary Erps Brian Hausman Raelyn Petersen</i>	23 <i>Elise Lupole Tyler & Chelsey Ehlers</i>	24 <i>Janice Wilken</i>
25 <i>Doug Kuhl Tony Mumm Gavin Thiedeman</i>	26	27	28 <i>Emmalee Bolin Heather Erps Emily Gallagher Easton Weier Randy & Mary Bruhn</i>	29		

FEBRUARY

SUNDAY	MONDAY	TUESDAY	WEDNESDAY	THURSDAY	FRIDAY	SATURDAY
			1	2	3	
4 9:00 Chr Ed 10:00 DW/HC	5	6	7 4:00 Midweek 4:00 Make Subs	8	9	10
11 9:00 Chr Ed 10:00 DW/HC 11:00 Council Meeting	12	13	14 4:00 Midweek 6:30 Ash Wed Service/HC	15	16	17
18 9:00 Chr Ed 10:00 DW/HC	19	20	21 4:00 Midweek 6:30 Midweek Lenten Service	22	23	24
25 9:00 Chr Ed 10:00 DW/HC	26	27	28 4:00 Midweek 6:30 Midweek Lenten Service	29		

USHERS

Dwight Ehlers Brian Kraus
 Jake Kraus Zack Kraus
 Curtis Ehlers Dale Lenz

MIDWEEK SERVERS

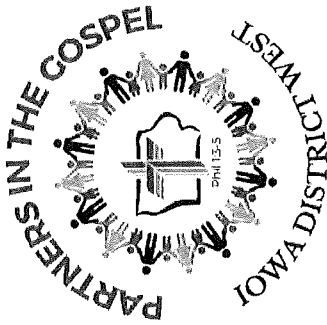
2/7 Kendyl Riesberg
 2/14 Lacey Middleton
 2/21 ????
 2/28 Jax Cleveland

PARISH CIRCLE

Paulette Von Glan
 Marilyn Mueggenberg
CHANCEL CIRCLE
 Paulette Von Glan
 Marilyn Mueggenberg

Acolytes:

2/4 Kendyl Riesberg & Kash Riesberg
 2/11 Cara Schuette & Audrey Hill
 2/14 Grant Wilken
 2/18 Lacey Middleton & Tyler Middleton
 2/21 Marissa Schrad & Macie Schrad
 2/25 Jax Cleveland & Anna Schuette
 2/28 Hannah Dose & Amelia Schmitz



**On a Mission
to Support
Christ's Mission!**

February 2024

409 Kenyon Road, Suite B — Fort Dodge, Iowa 50501
515-576-7666 Fax 515-576-2323 www.idwlcms.org
Contact email: sue@lowadistrictwest.org

Sharing Christ with our Neighbor and with the World



I'm the "new" guy, and I extend greetings to you from Mission Central, where I have the joy of serving alongside Gary Thies in the important work of raising mission awareness among our congregations. As we share the exciting news about what the Lord is doing in His mission fields, it is always our intention to:

1. Encourage God's people to a deeper appreciation for the gifts that Jesus brings to them each week in Word and Sacrament.
2. Provide God's people with opportunities to support our missionaries who bring these same Means of Grace to lost souls around the world.
3. Deliver a Christ-centered and cross-focused presentation that will encourage our young people to prayerfully consider a vocation as full-time church professionals and career missionaries.

It would be a great privilege for us to visit your congregation and share with you stories and pictures from around the world, as our missionaries tell others the Good News about Jesus. Let us rejoice that we have a Savior who lived a perfect life in our place, as our Substitute, who died on the cross to take the punishment that we deserve, and who rose again from the dead to give us a new life with Him that will last forever.

This joy and peace – this hope and certainty – is ours! That's why we share Christ with our neighbors and with the world, so they can have what we have and rejoice together with us in the blessed assurance of sins forgiven and eternal life with Jesus.

Rev. Steve Schulz, Pastoral Advisor & Assistant to the Director-Mission Central
steve.schulz@lclcms.org

IOWA LUTHERAN SCHOOL TUITION ORGANIZATION (ILSTO)

The Iowa Lutheran School Tuition Organization raised \$607,776 in 2023 that will be awarded for the next school year 2024-2025. With your help we were able to raise 56% of our goal. Due to changes in enrollment, ILSTO will be able to raise \$1,148,202 in 2024. Let's make our goal in 2024! We need your help so that we can help many more families attend Iowa Lutheran schools. Make a donation to ILSTO and receive a 75% Iowa tax credit. Families are encouraged to file an ILSTO tuition assistance application as soon as they have filed their 2023 tax return. Call Dewey Torkelson at 712-260-2991 for more information. You may also check the website: www.iowalutheranstfo.com

Need an organist?

Do you need an organist? Church Music Solutions produces and provides high quality organ music to support congregational singing in churches where an organist is unavailable. If you would like organ music assistance on a rare, occasional, or regular basis, we encourage you to visit our website at www.churchmusicsolutions.com or call us at (800) 651-7497. You can also contact a regional representative, Rosie Adle of Imperial, Nebraska, at rosiea@churchmusicsolutions.com or reach her on her direct line (314-591-7313). This video shows how Church Music Solutions can help your congregation keep singing:
www.churchmusicsolutions.com/video.html.

VBS BEST PRACTICE WORKSHOP

**Saturday, March 2, 2024
9:30am – 12:30pm (lunch provided)**

**Sponsored by the IDW Education Committee
Hosted at Zion Lutheran Church, Manning, Iowa**

Learn best practices on recruiting volunteers, community outreach, decoration ideas, Bible storytelling, crafts, and more!

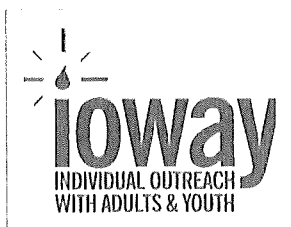
To register, follow this link <https://forms.office.com/r/0BheRvEYw1>



Calendar of Events

- February 8... Circuit Youth Representatives Training, St. Paul, Carroll
- February 14... Ash Wednesday
- March 29... Good Friday, District Office Closed
- March 31... Easter Sunday
- April 13... Concordia Plans Retirement Workshop

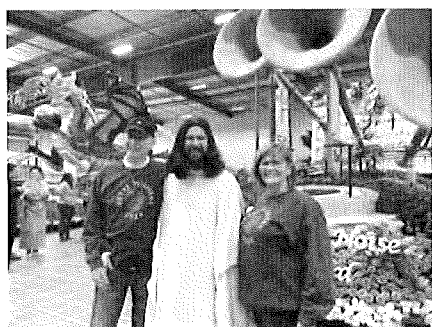
For more information on Iowa District West activities, view *The Messenger* at www.idwlcms.org/publications.php



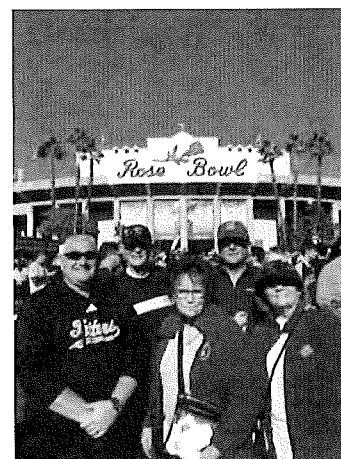
Julie Mann
IOWAY Director / Disaster Response Coordinator
julie@iowadistrictwest.org
515-408-9696

WOW – what a way to ring in the New Year! Watching fireworks explode, front row view for an iconic parade, meeting Jesus – in varied ways missionally and then “literally,” visiting Concordia-Irvine, our LCMS secondary education hub on the west coast, and building bonds with fellow travelers and our high school partners. Oh yes, and a few days working up close and personal on those amazing floats that come down Colorado Boulevard on January 1 for all the world to see.

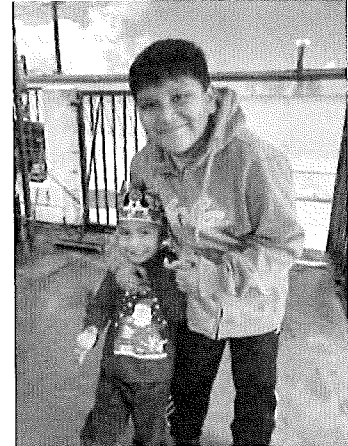
This is what happens when you join us on the IOWAY mission trip to Pasadena!



We were quite blessed to have a weeklong travel experience for 25 people at the end of December into January, with so many opportunities to talk about God working in our lives and hear from others what He is doing with people just like us in other areas of the US and abroad. We were also given a hands-on opportunity to see how much work goes into getting an event like that pulled together. Gallons of glues, more plant materials I knew existed, and a whole gaggle of volunteers to help get things prepared; our work under the iconic leadership of Dick and Lynn Gast and the Lutheran Hour Petal Pushers.



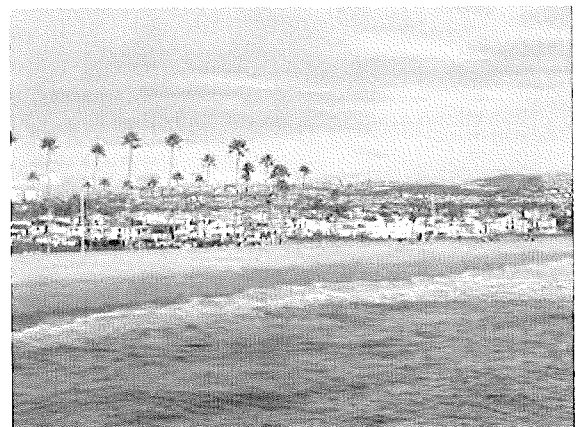
Another blessing purposely woven into this year's trip was the opportunity not only to go to a local mission at LOT318, but to have ten of the teens and two adult leaders from there join us in a float workday and at the parade route, where their families generously sent along Mexican breakfast treats and warm cocoa for the cool morning of waiting for the big event to start. Working with the teens brought a lot of learning on both sides of each partnership and lots of laughter for all. The final day of the trip was spent at LOT318 helping out as they continue to expand the services they offer children and families right in their Placentia neighborhood.

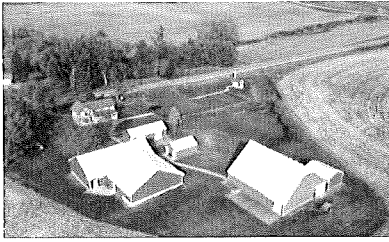


Being able to see Concordia University firsthand was an eye-opener for many, and wonderfully nostalgic for this alum. If you know of a congregation or family member who is college bound in the next year or two, please have them check it out. It is a beautiful, thriving campus with cutting edge programs in many fields (undergrad ~ doctoral), while firmly being purposefully rooted in the theology of the church.



If you have any questions about this trip, please reach out to me. If you have a desire to go on the 2024-25 trip, registration will be coming out in late summer.





MISSION CENTRAL

Office of Mission Advancement
The Lutheran Church—Missouri Synod



Missionaries Gary Thies & Rev. Steve Schulz
Mission Development Counselors

712-882-1029

Gary.Thies@lcms.org
Steve.Schulz@lcms.org

SPECIAL GUESTS TO MISSION CENTRAL TRAVELED ALL THE WAY FROM OREGON!

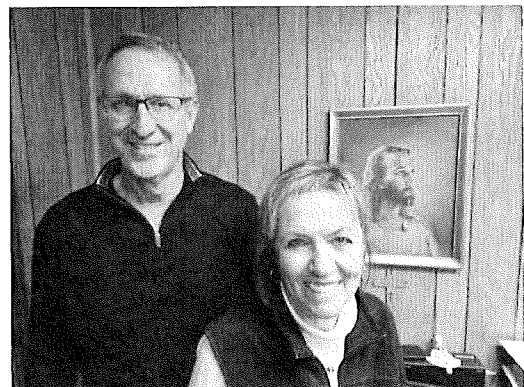
Curt and Kristin Fintel came all the way from Oregon to visit Mission Central! It was a joy to have them come and see what the Lord is doing with an old set of farm



buildings out in the middle of nowhere! Kurt grew up around Paullina, Iowa and they came back to visit. It was so kind of them to come and spend time here at Mission Central! They enjoyed seeing our offices, the wayside prayer chapel for a special prayer, the Ministry Center, Creation Theater and the Barn Museum. It certainly was a glorious day we will never forget, as we continue to tell the Good News about Jesus to the world.

FRIENDS FROM LONG AGO STOP BY TO SEE US AT MISSION CENTRAL

Long, long, long time missionary friends, Steve and Brenda Martens came from their home in Nashville, Tennessee to meet with Old Missionary Gary and Rev. Steve Schulz here at Mission Central. Steve Martens and Gary met for the first time over 30 years ago! What a blessing it is to have the Martens family as fellow workers here at Mission Central. Brenda Martens is one of our finest volunteer staff people as she is the Director of our Mission Central Prayer Calendar. Brenda is in touch each month with our missionaries around the world and asks them for their most urgent prayer requests for their families. She then posts those requests so all of our dear friends and supporters can pray for these missionaries. Special friends like the Martens family keep us going here at Mission Central.



MISSIONARY JAMES SHARP AND HIS FAMILY PRESENT EXCITING STORIES AND PICTURES FROM URUGUAY!

Rev. James Sharp, his wife Angie, and their four children reported how the Lord Jesus is working through them to share the Gospel in Uruguay, which has one of the fewest number of Christians in all of South America. They have served the Lord Jesus there for nine years. They shared wonderful stories and amazing pictures of people whose lives have been changed by hearing the Good News about Jesus! We had visitors from Iowa and Nebraska who came to rejoice with us here at Mission Central. We pray that our Lord will bless and keep the Sharp family in His tender care.



Mission Central – Office of Mission Advancement, LCMS

40718 Highway E16
Mapleton, IA 51034

712-882-1029
www.missioncentral.us

**Zion Lutheran Church
118 W Tracy St
Box 59
Arcadia, IA 51430
Rev Ben Dose
712-689-2441**

**Non-Profit Organization
Arcadia, IA 51430
Standard Mail**

<i>Friends Who Care</i>	
<i>Christian Education</i>	<i>9:00 am</i>
<i>Divine Worship</i>	<i>10:00 am</i>

**FRIENDS ARE

TRUTHFUL
CARING
RELIABLE
HELPFUL
POLITE
INTERESTING
ALWAYS THERE
FOR YOU.**